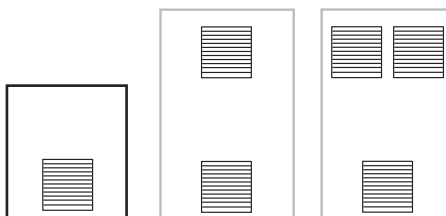


Ventilation system

Selection guide

Ventilation systems with filters



	Fan flow rate (m³/h)			Voltage	Type of connection C = by cable F = by faston (1) B = by terminal block
	Free with filter	With 1 outlet grille	With 2 outlet grilles		
	50 Hz	50 Hz	50 Hz		
	38	25	33	230 V	C
	38	27	35	115 V	C
	58	39	47	24 V DC	C
	44	34	41	48 V DC	C
	85	63	71	230 V	F
	79	65	73	115 V	F
	80	57	77	24 V DC	F
	79	59	68	48 V DC	F
	165	153	161	230 V	F
	164	153	161	115 V	F
	188	171	179	24 V DC	F
	193	171	179	48 V DC	F
	302	260	268	230 V	F
	302	263	271	115 V	F
	262	221	229	24 V DC	F
247	210	218	48 V DC	F	
	562	473	481	230 V	B
	582	485	494	115 V	B
	838	718	728	230 V	B
	983	843	854	115 V	B
	931	798	809	400/440 V	B

(1) Fan models with connection type (F) are delivered with the connection cord included (2 metres).

Dimensions (mm)		Reference					
Total (external)	Cut-out	Fan with filter	Outlet grille	Colour kit	IP 55	IP 55 stainless steel	EMC
		RAL 7035		RAL 7032			
137 × 117	92 × 92	NSYCVF38M230PF	NSYCAG92LPF	NSYCAG92LPC	-	-	-
		NSYCVF38M115PF					
		NSYCVF38M24DPF					
		NSYCVF38M48DPF					
170 × 150	125 × 125	NSYCVF85M230PF	NSYCAG125LPF	NSYCAG125LPC	NSYCAP125LZF	NSYCAP125LXF	NSYCAP125LE
		NSYCVF85M115PF					
		NSYCVF85M24DPF					
		NSYCVF85M48DPF					
268 × 248	223 × 223	NSYCVF165M230PF	NSYCAG223LPF	NSYCAG223LPC	NSYCAP223LZF	NSYCAP223LXF	NSYCAP223LE
		NSYCVF165M115PF					
		NSYCVF165M24DPF					
		NSYCVF165M48DPF					
		NSYCVF300M230PF					
		NSYCVF300M115PF					
		NSYCVF300M24DPF					
		NSYCVF300M48DPF					
336 × 316	291 × 291	NSYCVF560M230PF	NSYCAG291LPF	NSYCAG291LPC	NSYCAP291LZF	NSYCAP291LXF	NSYCAP291LE
		NSYCVF560M115PF					
		NSYCVF850M230PF					
		NSYCVF850M115PF					
		NSYCVF850M400PF					

Ventilation systems

Forced ventilation 38 m³/h



General characteristics

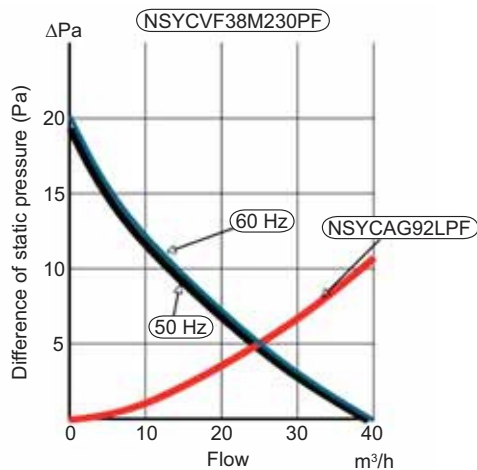
- The fans comprise an axial motor, a protective housing on the front and rear surfaces and a filter designed to retain dust particles.
- This filter can be replaced during operation without risk of contact with the rotating element.
- The cut-out template supplied with the device avoids the need for marking and protects the surface of the enclosure during handling.
- RAL 7035 grey in the standard offer with the possibility to change to RAL 7032 by means of a replacement grille.

Conditions of use

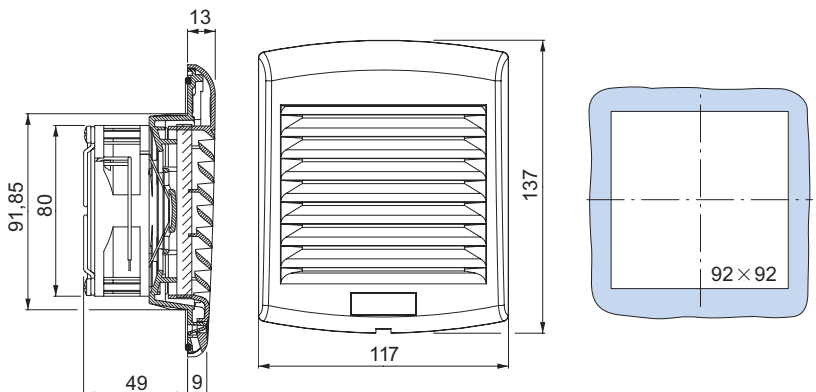
- The outside temperature (Te) must be 5 °C lower than the desired temperature (Ts) inside the enclosure.
- The filters that equip the fans must be cleaned and replaced regularly.
- The surrounding environment must be relatively clean and overfrequent filter replacement should be avoided.
- Bear in mind the pressure losses caused by the outlet element (grille with filter, ventilation louvre or simple opening) when determining the fan flow rate.

Specifications	Reference			
	NSYCVF38M230PF	NSYCVF38M115PF	NSYCVF38M24DPF	NSYCVF38M48DPF
Colour: RAL 7035				
Free flow rate with standard filter (m ³ /h)	38 (50 Hz) 39 (60 Hz)	38 (50 Hz) 39 (60 Hz)	58	44
Flow rate with 1 outlet grille (m ³ /h)	25 (50 Hz) 26 (60 Hz)	27 (50 Hz) 28 (60 Hz)	39	34
Nominal voltage	230 V (50/60 Hz)	115 V (50/60 Hz)	24 V DC	48 V DC
Voltage range	150 V...250 V	75 V...125 V	10 V...27.6 V	36 V...56 V
Absorbed power (50/60 Hz)	4.5/4.8 W	3.3/3.5 W	3.6 W	3.6 W
Max. intensity (50/60 Hz)	0.16/0.17 A	0.16/0.16 A	0.18 A	70 mA
Noise level	40/41 dB (A)			
Bearing	Balls			
IP	54			
External dimensions (mm)	137 × 117 × 49			
Cut-out (mm)	92 × 92			
Weight	0.220 kg		0.230 kg	
Material	Injected thermoplastic (ASA PC). self-extinguishing according to UL94 V0			
Operating temperature	-10...+70 °C			
Storage temperature	-40...+70 °C			
Max. static pressure (flow rate 0 m ³ /h)	29 Pa			

Flow curves



Dimensions



Ventilation systems

Forced ventilation 85 m³/h



General characteristics

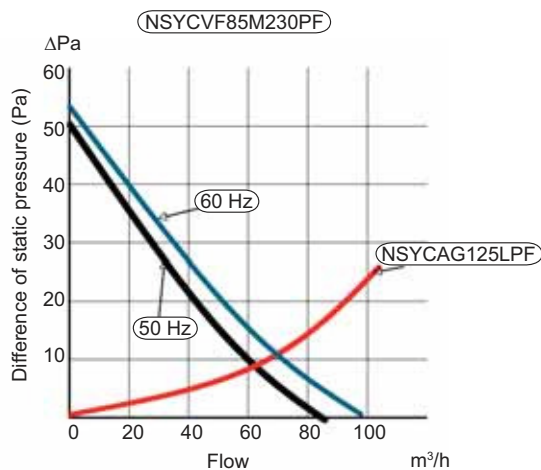
- The fans comprise an axial motor, a protective housing on the front and rear surfaces and a filter designed to retain dust particles.
- This filter can be replaced during operation without risk of contact with the rotating element.
- Optionally, the device can be equipped with a filter that provides even more efficient protection for your sensitive facilities against dust particles.
- The cut-out template supplied with the device avoids the need for marking and protects the surface of the enclosure during handling.
- RAL 7035 grey in the standard offer with the possibility to change to RAL 7032 by means of a replacement grille.

Conditions of use

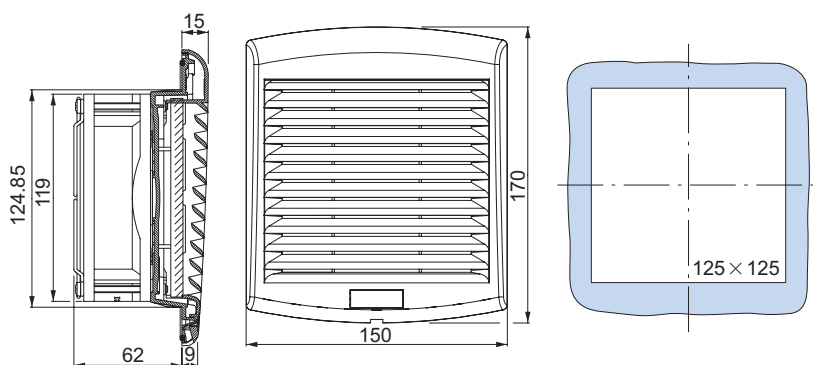
- The outside temperature (T_e) must be 5 °C lower than the desired temperature (T_s) inside the enclosure.
- The filters that equip the fans must be cleaned and replaced regularly.
- The surrounding environment must be relatively clean and overfrequent filter replacement should be avoided.
- Bear in mind the pressure losses caused by the outlet element (grille with filter, ventilation louvre or simple opening) when determining the fan flow rate.

Specifications	Reference			
	NSYCVF85M230PF	NSYCVF85M115PF	NSYCVF85M24DPF	NSYCVF85M48DPF
Colour: RAL 7035				
Free flow rate with standard filter (m ³ /h)	85 (50 Hz) 98 (60 Hz)	79 (50 Hz) 92 (60 Hz)	80 m ³ /h	
Flow rate with 1 outlet grille (m ³ /h)	63 (50 Hz) 72 (60 Hz)	65 (50 Hz) 74 (60 Hz)	60 m ³ /h	
Nominal voltage	230 V (50/60 Hz)	115 V (50/60 Hz)	24 V DC	48 V DC
Voltage range	175 V...253 V	75 V...126 V	10 V...27.6 V	25 V...55.2 V
Absorbed power	17/15 W	16/15 W	7.6 W	8 W
Max. intensity (50/60 Hz)	0.121/0.097 A	0.207/0.179 A	0.30 A	0.173 A
Noise level	46/49 dB (A)			
Bearing	Balls			
IP	54			
External dimensions (mm)	170 × 150 × 62			
Cut-out (mm)	125 × 125			
Weight	0.780 kg		0.480 kg	
Material	Injected thermoplastic (ASA PC). self-extinguishing according to UL94 V0			
Operating temperature	-20...+60 °C		-10...+70 °C	
Storage temperature	-40...+70 °C			
Max. static pressure (flow rate m ³ /h)	50 Pa			

Flow curves



Dimensions



Ventilation systems

Forced ventilation 165 m³/h



General characteristics

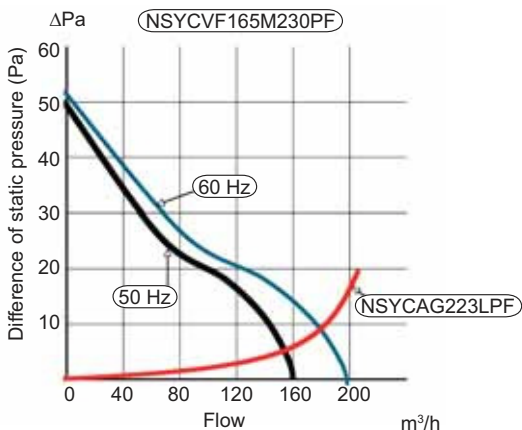
- The fans comprise an axial motor, a protective housing on the front and rear surfaces and a filter designed to retain dust particles.
- This filter can be replaced during operation without risk of contact with the rotating element.
- Optionally, the device can be equipped with a filter that provides even more efficient protection for your sensitive facilities against dust particles.
- The cut-out template supplied with the device avoids the need for marking and protects the surface of the enclosure during the handling.
- RAL 7035 grey in the standard offer with the possibility to change to RAL 7032 by means of a replacement grille.

Conditions of use

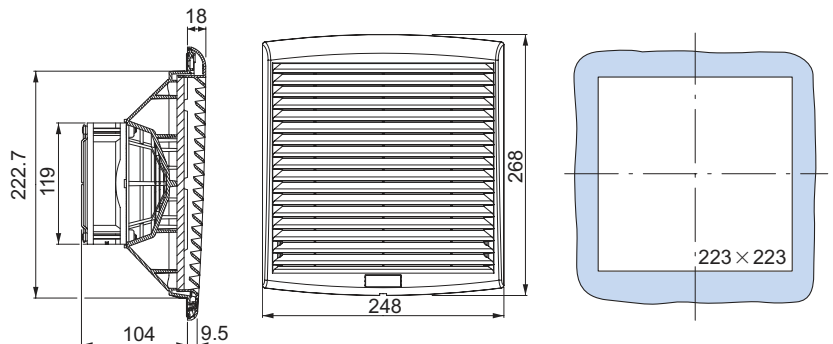
- The outside temperature (Te) must be 5 °C lower than the desired temperature (Ts) inside the enclosure.
- The filters that equip the fans must be cleaned and replaced regularly.
- The surrounding environment must be relatively clean and overfrequent filter replacement should be avoided.
- Bear in mind the pressure losses caused by the outlet element (grille with filter, ventilation louvre or simple opening) when determining the fan flow rate.

Specifications	Reference			
Colour: RAL 7035	NSYCVF165M230PF	NSYCVF165M115PF	NSYCVF165M24DPF	NSYCVF165M48DPF
Free flow rate with filter (m ³ /h)	165 (50 Hz) 193 (60 Hz)		190 m ³ /h	
Flow rate with 1 outlet grille (m ³ /h)	153 (50 Hz) 171 (60 Hz)		171 m ³ /h	
Flow rate with 2 outlet grilles (m ³ /h)	161 (50 Hz) 175 (60 Hz)		179 m ³ /h	
Nominal voltage	230 V (50/60 Hz)	115 V (50/60 Hz)	24 V DC	48 V DC
Voltage range	175 V...253 V	75 V...126 V	10 V...27,6 V	25 V...55,2 V
Absorbed power	16.3/14.3 W	15.5/14.4 W	8 W	8.7 W
Max. intensity (50/60 Hz)	0.12/0.94 A	0.20/0.18 A	0.3 A	0.18 A
Noise level	50/51 dB (A)			
Bearing	Balls			
IP	54			
External dimensions (mm)	268 × 248 × 104			
Cut-out (mm)	223 × 223			
Weight	1140 kg		0.810 kg	
Material	Injected thermoplastic (ASA PC), self-extinguishing according to UL94 V0			
Operating temperature	-20...+60 °C		-10...+70 °C	
Storage temperature	-40...+70 °C			
Max. static pressure	50 Pa			

Flow curves



Dimensions



Ventilation systems

Forced ventilation 300 m³/h



General characteristics

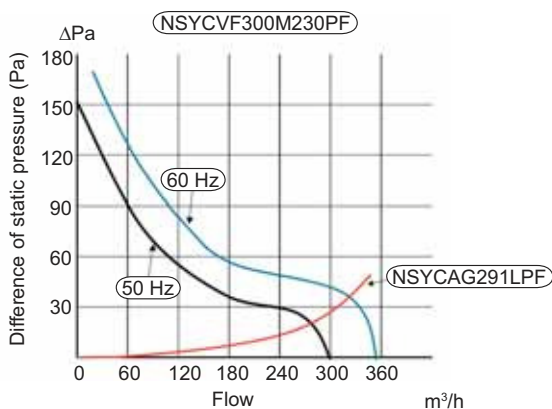
- The fans comprise an axial motor, a protective housing on the front and rear surfaces and a filter designed to retain dust particles.
- This filter can be replaced during operation without risk of contact with the rotating element.
- Optionally, the device can be equipped with a filter that provides even more efficient protection for your sensitive facilities against dust particles.
- The cut-out template supplied with the device avoids the need for marking and protects the surface of the enclosure during handling.
- RAL 7035 grey in the standard offer with the possibility to change to RAL 7032 by means of a replacement grille

Conditions of use

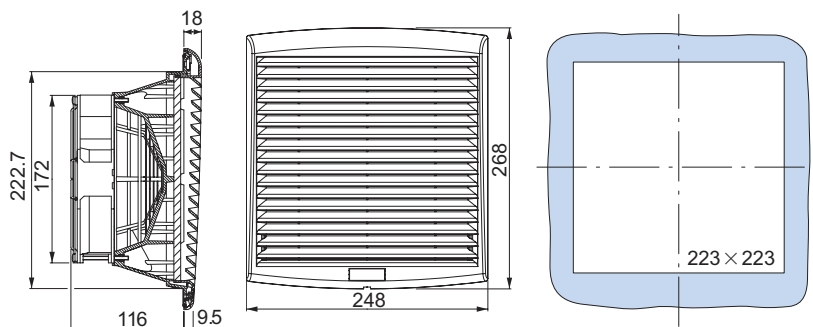
- The outside temperature (T_e) must be 5 °C lower than the desired temperature (T_s) inside the enclosure.
- The filters that equip the fans must be cleaned and replaced regularly.
- The surrounding environment must be relatively clean and overfrequent filter replacement should be avoided.
- Bear in mind the pressure losses caused by the outlet element (grille with filter, ventilation louvre or simple opening) when determining the fan flow rate.

Specifications	Reference			
	NSYCVF300M230PF	NSYCVF300M115PF	NSYCVF300M24DPF	NSYCVF300M48DPF
Colour: RAL 7035				
Free flow rate with filter (m ³ /h)	300 (50 Hz) 350 (60 Hz)		262 m ³ /h	
Flow rate with 1 outlet grille (m ³ /h)	260 (50 Hz) 307 (60 Hz)		221 m ³ /h	
Nominal voltage	230 V (50/60 Hz)	115 V (50/60 Hz)	24 V DC	48 V DC
Voltage range	145 V...253 V	75 V...126 V	12 V...30 V	25 V...60 V
Absorbed power	36/37 W	36/36 W	13 W	11 W
Max. intensity (50/60 Hz)	0.17/0.16 A	0.35/0.32 A	0.53 A	0.24 A
Noise level	55/56 dB (A)			
Bearing	Balls			
IP	54			
External dimensions (mm)	268 × 248 × 116		268 × 248 × 103,4	
Cut-out (mm)	223 × 223			
Weight	1.3 kg		1.1 kg	
Material	Injected thermoplastic (ASA PC), self-extinguishing according to UL94 V0			
Operating temperature	-10...+70 °C		-10...+70 °C	
Storage temperature	-40...+70 °C			
Max. static pressure	158 Pa			

Flow curves



Dimensions



Ventilation systems

Forced ventilation 560-850 m³/h



General characteristics

- The fans comprise an axial motor, a protective housing on the front and rear surfaces and a filter designed to retain dust particles.
- This filter can be replaced during operation without risk of contact with the rotating element.
- Optionally, the device can be equipped with a filter that provides even more efficient protection for your sensitive facilities against dust particles.
- The cut-out template supplied with the device avoids the need for marking and protects the surface of the enclosure during handling.
- RAL 7035 grey in the standard offer with the possibility to change to RAL 7032 by means of a replacement grille.

Conditions of use:

- The outside temperature (Te) must be 5 °C lower than the desired temperature (Ts) inside the enclosure.
- The filters that equip the fans must be cleaned and replaced regularly.
- The surrounding environment must be relatively clean and overfrequent filter replacement should be avoided.
- Bear in mind the pressure losses caused by the outlet element (grille with filter, ventilation louvre or simple opening) when determining the fan flow rate.

Specifications	Reference				
	NSYCVF560M230PF	NSYCVF560M115PF	NSYCVF850M230PF	NSYCVF850M115PF	NSYCVF850M400PF
Colour: RAL 7035					
Free flow rate with filter (m ³ /h)	562 (50 Hz) 586 (60 Hz)		838 (50 Hz) 803 (60 Hz)	983 (50 Hz) 944 (60 Hz)	931 (50 Hz) 803 (60 Hz)
Flow rate with 1 outlet grille (m ³ /h)	473 (50 Hz) 477 (60 Hz)		718 (50 Hz) 568 (60 Hz)	843 (50 Hz) 642 (60 Hz)	798 (50 Hz) 568 (60 Hz)
Nominal voltage	230 V (50/60 Hz)	115 V (50/60 Hz)	230 V (50/60 Hz)	115 V (50/60 Hz)	400 V (50/60 Hz)
Voltage range	207 V...244 V	103 V...122 V	207 V...244 V	103 V...122 V	396 V...466 V
Absorbed power	68/85 W	65/83 W	150/195 W	145/182 W	126/126 W
Max. intensity (50/60 Hz)	0.52/0.370 A	0.60/0.72 A	0.65/0.85 A	1.279/1.6 A	0.226/0.232 A
Noise level	59/59 dB (A)		76/75 dB (A)	78/77 dB (A)	77/75 dB (A)
Bearing	Balls				
IP	54				
External dimensions (mm)	336 × 316 × 161		336 × 316 × 162		
Cut-out (mm)	291 × 291				
Weight	3.2 kg		4.1 kg		
Material	Injected thermoplastic (ASA PC), self-extinguishing according to UL94 V0				
Operating temperature	-15...+60 °C				
Storage temperature	-40...+70 °C				
Max. static pressure	140 Pa		170 Pa		



RAL 7035



RAL 7032

Outlet grilles

- Delivered with G2 M1 synthetic standard filter.
- Material: Injected thermoplastic (ASA PC), self-extinguishing according to UL94 V0.

Dimensions (mm)		IP	Reference RAL 7035
Total (external)	Cut-out		
137 × 117 × 13	92 × 92	54	NSYCAG92LPF
170 × 150 × 15	125 × 125	54	NSYCAG125LPF
268 × 248 × 18	223 × 223	54	NSYCAG223LPF
336 × 316 × 18	291 × 291	54	NSYCAG291LPF

Replacement grilles in RAL 7032

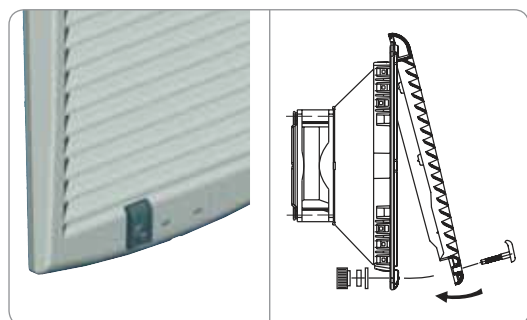
- External part of the grille (for fan or outlet grille) for changing the colour to RAL 7032.

Dimensions (mm) Total (external)	IP	Reference RAL 7032
137 × 117 × 13	54	NSYCAG92LPC
170 × 150 × 15	54	NSYCAG125LPC
268 × 248 × 18	54	NSYCAG223LPC
336 × 316 × 18	54	NSYCAG291LPC



Filters

Concept	For fans and grilles		Pack.	Reference
	External dimensions (mm)	Cut-out (mm)		
G2 M1 synthetic standard filters	137 × 117	92 × 92	5	NSYCAF92
	170 × 150	125 × 125	5	NSYCAF125
	268 × 248	223 × 223	5	NSYCAF223
	336 × 316	291 × 291	5	NSYCAF291
Filters for greasy environments G2 M1	170 × 150	125 × 125	5	NSYCAF125O
	268 × 248	223 × 223	5	NSYCAF223O
	336 × 316	291 × 291	5	NSYCAF291O
G3 M1 synthetic fine filters	170 × 150	125 × 125	5	NSYCAF125T
	268 × 248	223 × 223	5	NSYCAF223T
	336 × 316	291 × 291	5	NSYCAF291T
Stainless-steel anti-insect filters	137 × 117	92 × 92	1	NSYCAF92M
	170 × 150	125 × 125	1	NSYCAF125M
	268 × 248	223 × 223	1	NSYCAF223M
	336 × 316	291 × 291	1	NSYCAF291M



Anti-vandalism kit

- Prevents the grille from being opened from the outside.
- The unlocking thumbwheel is accessed from the inside of the wall-mounting enclosure.
- RAL 7011 colour (same material as the grille: ASA PC).

Minor packaging	Reference
2	NSYCAAPV